

BS230M.4 KNUCKLE BOOM CRANE

Fitted to NATO Type Pontoon Base Frame



General

Make	BS230M.4 23t / m
Type	Knuckle Boom Crane
Deck Coverage	Full 370 Degree Rotation

Main Dimensions

Length	4.2m
Breadth	2.1m
Depth Frame	0.3m

Capacity

23t / m	See Load Chart
---------	----------------

Standard Equipment

- Hatz Diesel Driven Air Cooled Hydraulic Power Pack
- Remote Control
- 6.0m Hydraulic Deck Hoses to Power Pack
- Tested Lifting Shackles and Hook
- 2.5t Winch and Pulley Sheave Block
- Load Over Hoist Safety Cut Out – Protects Sheave Block
- Winch Over Load Safety Cut Out – Protects Crane
- Crane Over Load Safety Cut Out – Protects Winch

Optional Equipment

- Qualified Crane Operator
- Specialist Rigging Equipment

Typical Uses

- Piling
- Medium Lifting and Installation Duties
- Installation of Timber Fenders and Quayside Furniture
- Used to Lift Pontoon Spud Legs
- Deck Area Service Crane

ELITE PONTOON HIRE LTD.

OLD HALL FARM, ELSING, DEREHAM, NORFOLK, NR20 3DU

TEL: 01362 708393

enquiries@elitepontoonhire.com

www.elitepontoonhire.com

ELITE
PONTOON
HIRE

BS230M.4 KNUCKLE BOOM CRANE

Fitted to NATO Type Pontoon Base Frame



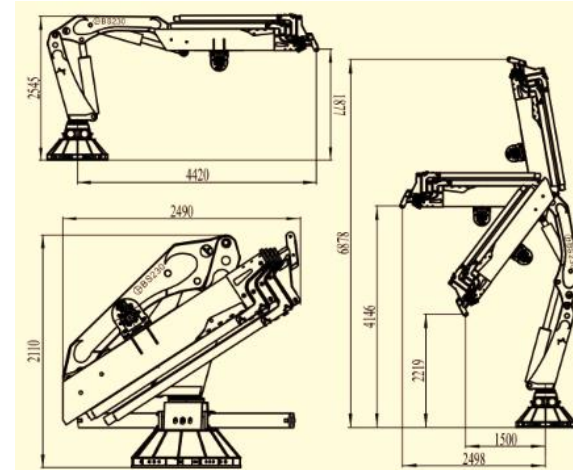
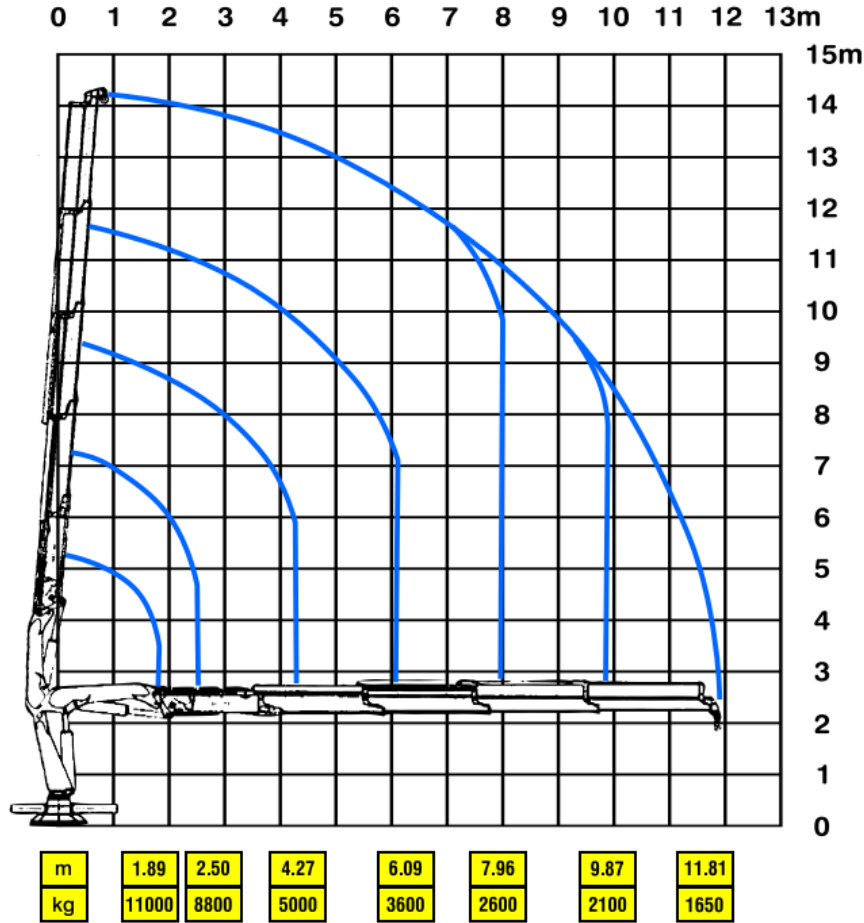
Additional Features

Crane can be mobilised onto pontoon units quickly via multiple bolted connections into deck.

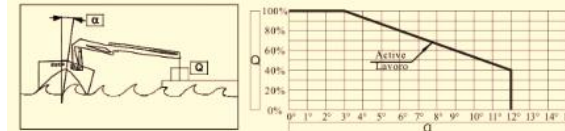
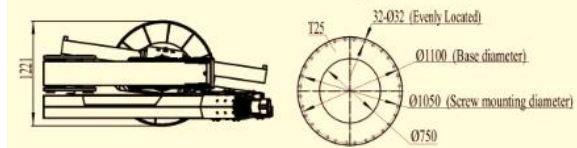
All cranes are provided with a stability book and load calculations for all planned lifts and once the deck crane is installed it can then be used to self load other project equipment and set up working deck.



Load Chart



Mounting Plate



Technical Data

	Lifting capacity (KN.m)	Power (KW)	Rotation	Working pressure(MPa)	Pump capacity(cc/r)	Oil tank capacity(L)	Crane weight(kg)
230M.2							2876±50
230M.3	220	22	385°	29	40-60	120	3076±50
230M.4							3300±50