

# BS500M.5 KNUCKLE BOOM CRANE

Fitted to NATO Type Pontoon Base Frame



## General

Make	BS500M.5 50t / m
Type	Knuckle Boom Crane
Deck Coverage	Full 370 Degree Rotation

## Main Dimensions

Length	4.2m
Breadth	2.0m
Depth Frame	350mm
Weight	10.5t

## Capacity

30t / m	See Load Chart
---------	----------------

## Standard Equipment

- Hatz Diesel Driven Air Cooled Hydraulic Power Pack
- 6.0m Hydraulic Deck Hoses to Power Pack
- Tested Lifting Shackles and Hook
- 3.5t Winch and Pulley Sheave Block
- Remote Control
- Load Over Hoist Safety Cut Out – Protects Sheave Block
- Winch Over Load Safety Cut Out – Protects Crane
- Crane Over Load Safety Cut Out – Protects Winch

## Optional Equipment

- Qualified Crane Operator
- Specialist Rigging Equipment

## Typical Uses

- Piling
- Heavy Lifting and Installation Duties
- Installation of Timber Fenders and Quayside Furniture
- Used to Lift Pontoon Spud Legs
- Deck Area Service Crane

ELITE PONTOON HIRE LTD.

OLD HALL FARM, ELSING, DEREHAM, NORFOLK, NR20 3DU

TEL: 01362 708393

enquiries@elitepontoonhire.com

[www.elitepontoonhire.com](http://www.elitepontoonhire.com)

**ELITE**  
**PONTOON**  
**HIRE**

# BS500M.5 KNUCKLE BOOM CRANE

Fitted to NATO Type Pontoon Base Frame



## Additional Features

Low level bridges is a common problem when accessing remote waterside locations.

ELITE has overcome this problem by designing the crane unit to hydraulically fold into the horizontal position, thus allowing barges to traverse under low level bridges and obstacles with low headroom. The crane can be folded back into the working position within minutes.

# BS500M.5 KNUCKLE BOOM CRANE

Fitted to NATO Type Pontoon Base Frame



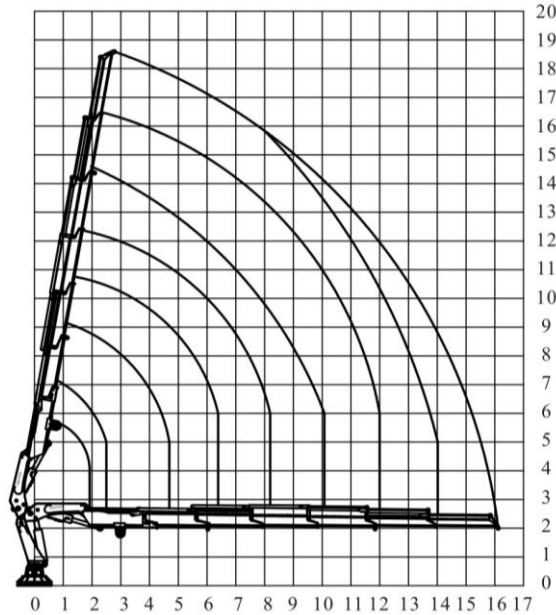
## Additional Features

Crane can be mobilised onto pontoon units quickly via multiple bolted connections into deck.

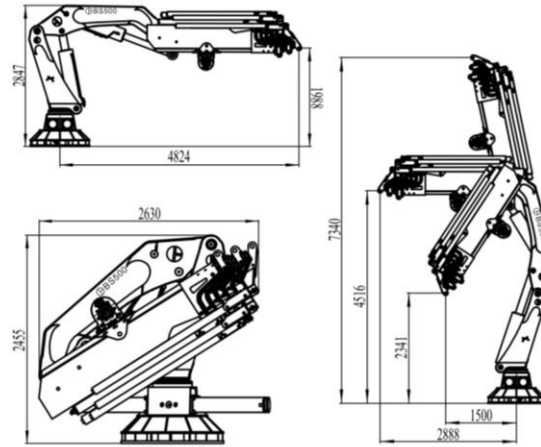
All cranes are provided with a stability book and load calculations for all planned lifts and once the deck crane is installed it can then be used to self load other project equipment and set up working deck.



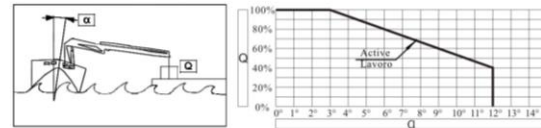
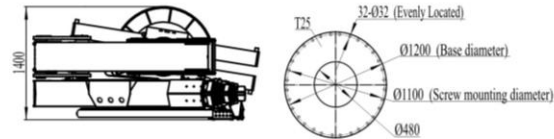
# Load Chart



500M.4	m	2.5	4.5	6.38	8.19	10.08	11.8		
	Kg	17810	9930	7031	5475	4417	3727		
500M.5	m	2.5	4.5	6.38	8.19	10.08	12	14.02	
	Kg	17630	9760	6861	5315	4257	3515	3059	
500M.6	m	2.5	4.5	6.38	8.19	10.08	12	14.02	16.08
	Kg	17460	9600	6701	5165	4107	3375	2919	2487



### Mounting Plate



### Technical Data

	Lifting capacity (KN.m)	Power (KW)	Rotation	Working pressure(MPa)	Pump capacity(cc/r)	Oil tank capacity(L)	Crane weight(kg)
500M.4							5400±50
500M.5	440	30	385°	30	40-70	190	5600±50
500M.6							5780±50

ELITE PONTOON HIRE LTD.

OLD HALL FARM, ELSING, DEREHAM, NORFOLK, NR20 3DU

TEL: 01362 708393

enquiries@elitepontoonhire.com