

# BS680M.6 KNUCKLE BOOM CRANE

Fitted to NATO Type Pontoon Base Frame



## General

Make	BS680M.6 68t / m
Type	Knuckle Boom Crane
Deck Coverage	360 Continuous Rotation

## Main Dimensions

Length	4.2m
Breadth	2.1m
Depth Frame	0.35m

## Capacity

68t / m	See Load Chart
---------	----------------

## Standard Equipment

- Hatz Diesel Driven Air Cooled Hydraulic Power Pack
- 6.0m Hydraulic Deck Hoses to Power Pack
- Tested Lifting Shackles and Hook
- 3.5t Winch and Double Pulley Sheave Block
- 7.0t Winch Capacity
- Load Over Hoist Safety Cut Out – Protects Sheave Block
- Winch Over Load Safety Cut Out – Protects Crane
- Crane Over Load Safety Cut Out – Protects Winch

## Optional Equipment

- Qualified Crane Operator
- Specialist Rigging Equipment

## Typical Uses

- Piling
- Heavy Lifting and Installation Duties
- Installation of Timber Fenders and Quayside Furniture
- Used to Lift Pontoon Spud Legs
- Deck Area Service Crane

ELITE PONTOON HIRE LTD.

OLD HALL FARM, ELSING, DEREHAM, NORFOLK, NR20 3DU

TEL: 01362 708393

enquiries@elitepontoonhire.com

[www.elitepontoonhire.com](http://www.elitepontoonhire.com)

**ELITE**  
**PONTOON**  
**HIRE**



# BS680M.6 KNUCKLE BOOM CRANE

Fitted to NATO Type Pontoon Base Frame



## Additional Features

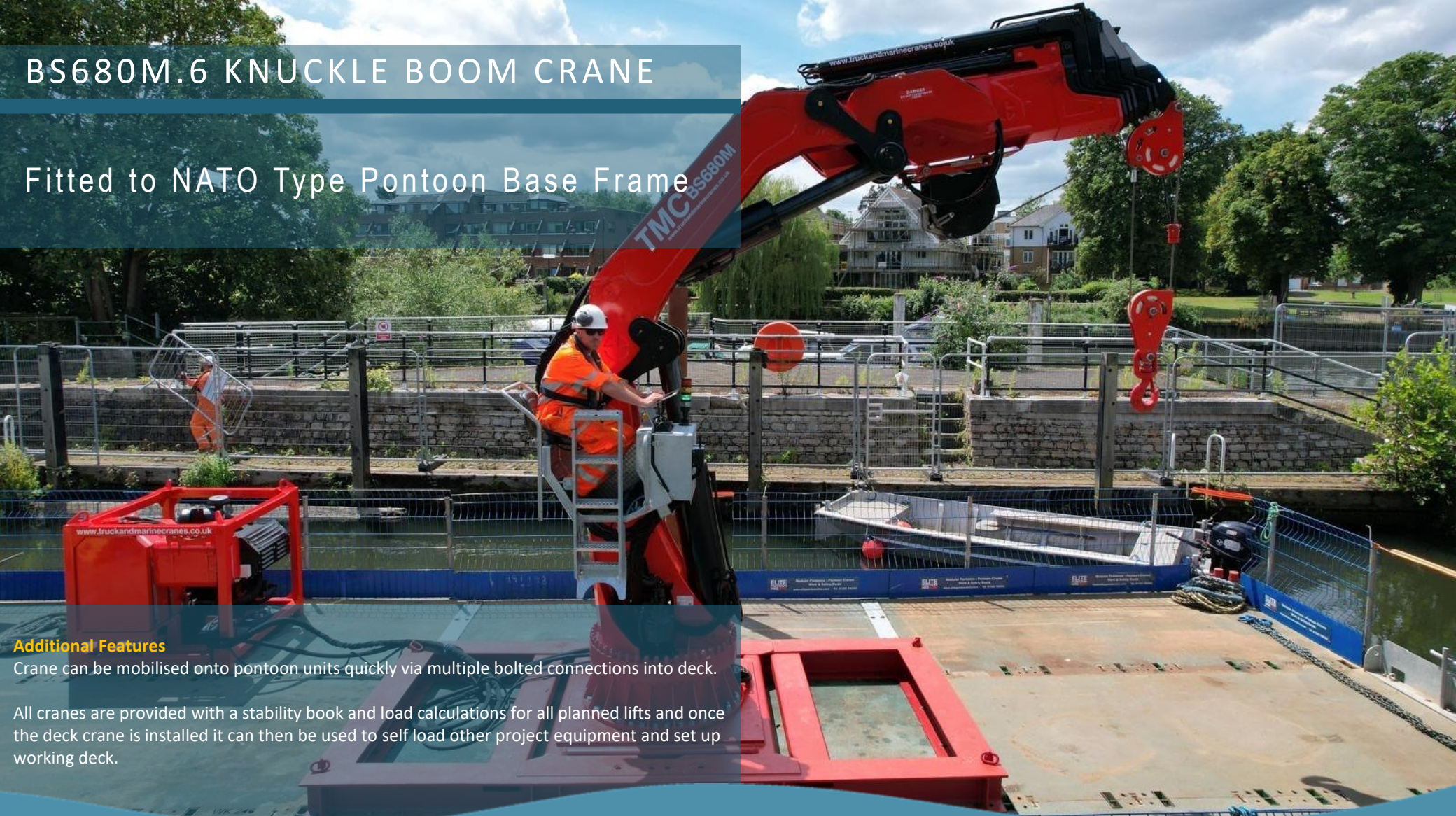
Operator seat to provide comfortable full field of view from the elevated position.

Optional wireless remote control allowing operator to position to a point of safety or for better viewing of lifting operations.



# BS680M.6 KNUCKLE BOOM CRANE

Fitted to NATO Type Pontoon Base Frame



## Additional Features

Crane can be mobilised onto pontoon units quickly via multiple bolted connections into deck.

All cranes are provided with a stability book and load calculations for all planned lifts and once the deck crane is installed it can then be used to self load other project equipment and set up working deck.

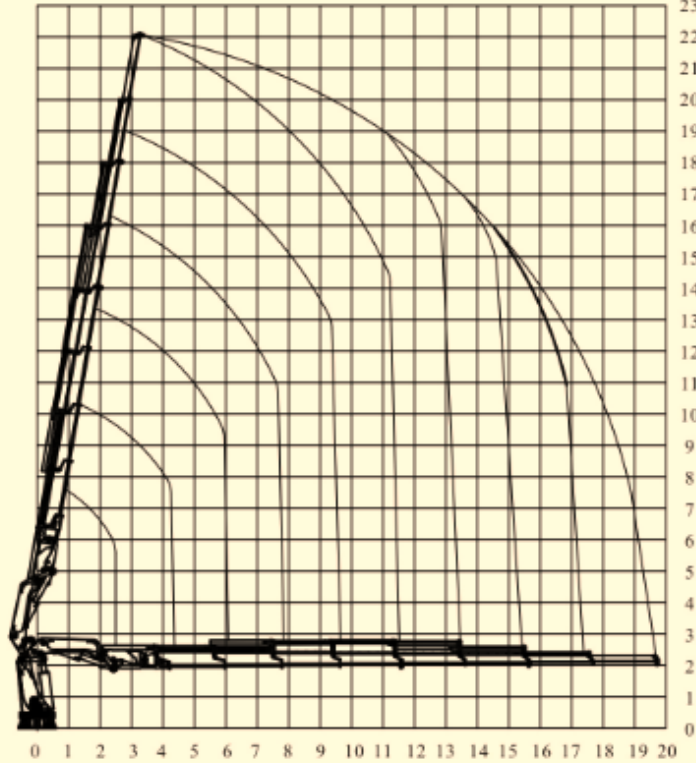
[www.elitepontoonhire.com](http://www.elitepontoonhire.com)

ELITE PONTOON HIRE LTD.  
OLD HALL FARM, ELSING, DEREHAM, NORFOLK, NR20 3DU  
TEL: 01362 708393  
[enquiries@elitepontoonhire.com](mailto:enquiries@elitepontoonhire.com)

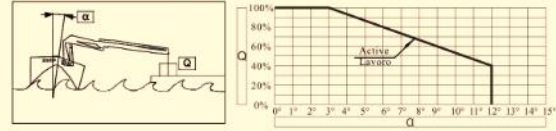
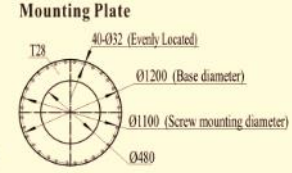
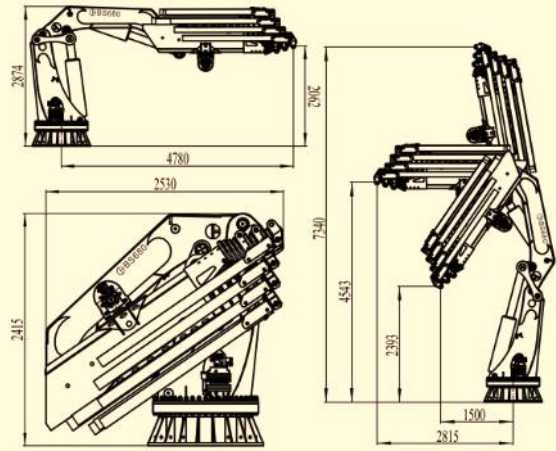
**ELITE**  
**PONTOON**  
**HIRE**



# Load Chart



680M.6	m	2.5	4.26	5.98	7.74	9.54	11.41	13.35	15.6		
	Kg	22908	13607	9615	7335	5745	4775	3953	3246		
680M.7	m	2.5	4.31	6.03	7.79	9.59	11.46	13.4	15.35	17.6	
	Kg	22708	13249	9355	7108	5555	4594	3798	3159	2674	
680M.8	m	2.5	4.35	6.08	7.84	9.64	11.51	13.45	15.4	17.35	19.72
	Kg	22528	12947	9118	6903	5386	4434	3664	3029	2612	2276



## Technical Data

	Lifting capacity (KN.m)	Power (KW)	Rotation	Working pressure(MPa)	Pump capacity(cc/r)	Oil tank capacity(L)	Crane weight(kg)
680M.6							6700±50
680M.7	580	30	∞	33	40-70	190	6990±50
680M.8							7190±50